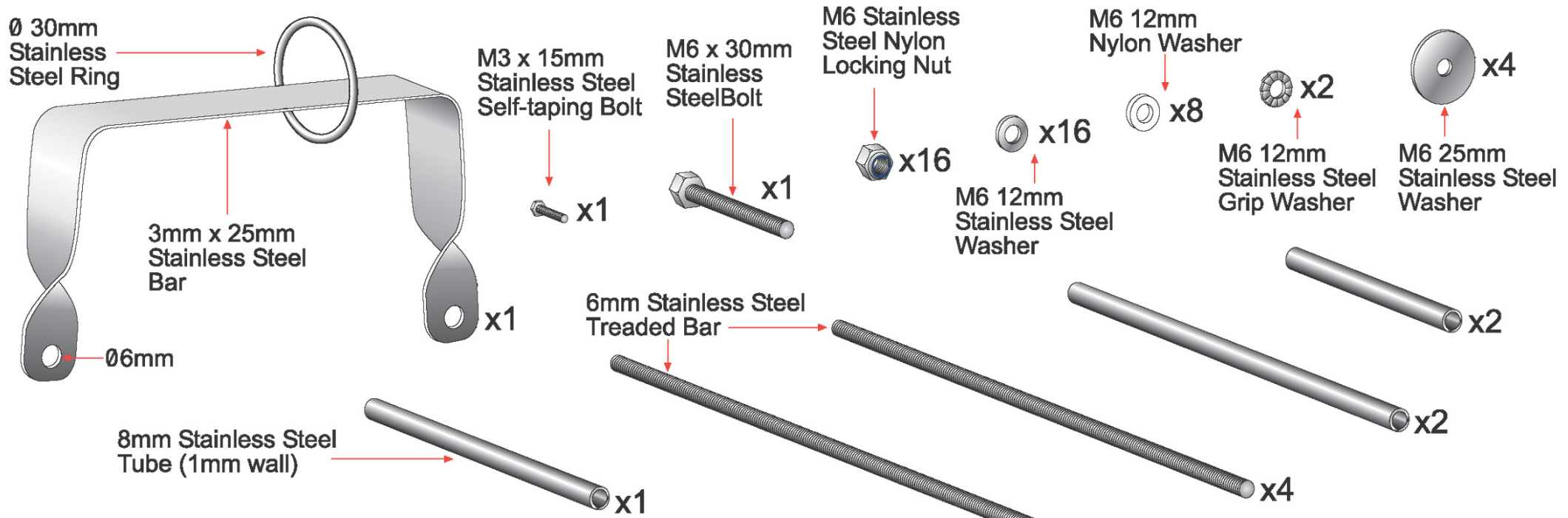


# Cave Diving Reel

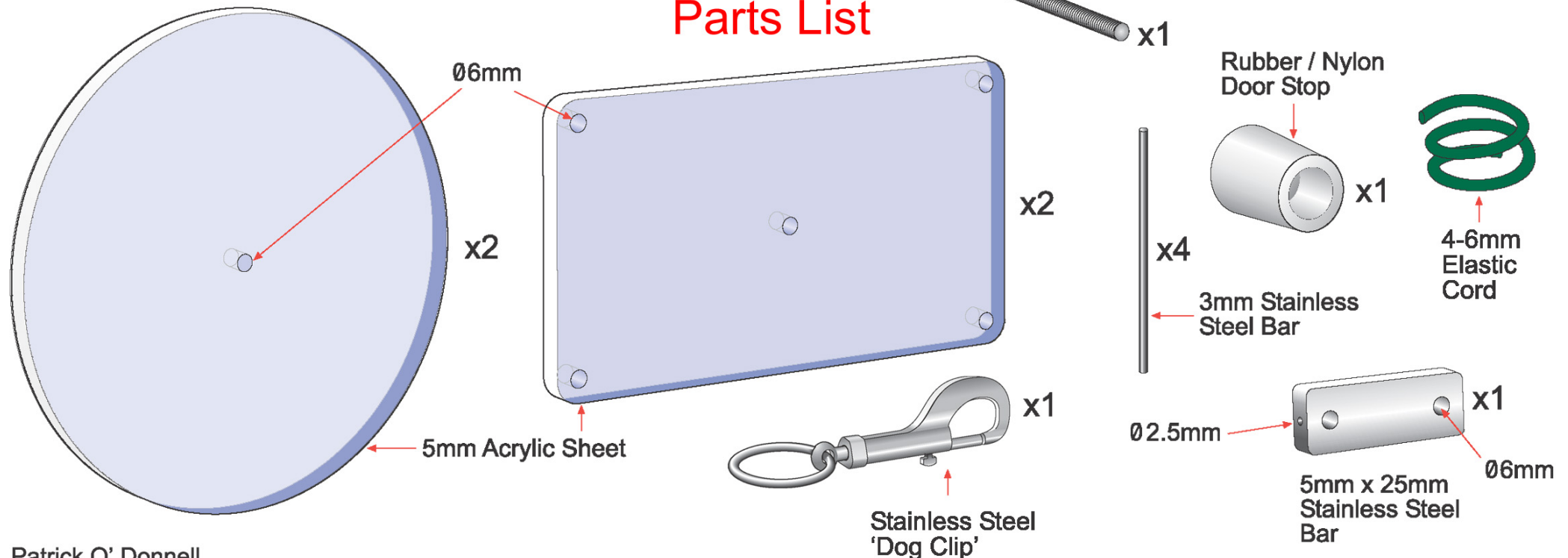
## Parts List and Assembly

NOTE: There are no dimensions given in the document because there is no 'best' size for this reel, it is down to personal preference and it will depend on the actual parts used. However, great care must be taken when making a reel, ensuring the best materials are used and that no corners are cut, this reel can cause your death if it malfunctions in a sump.

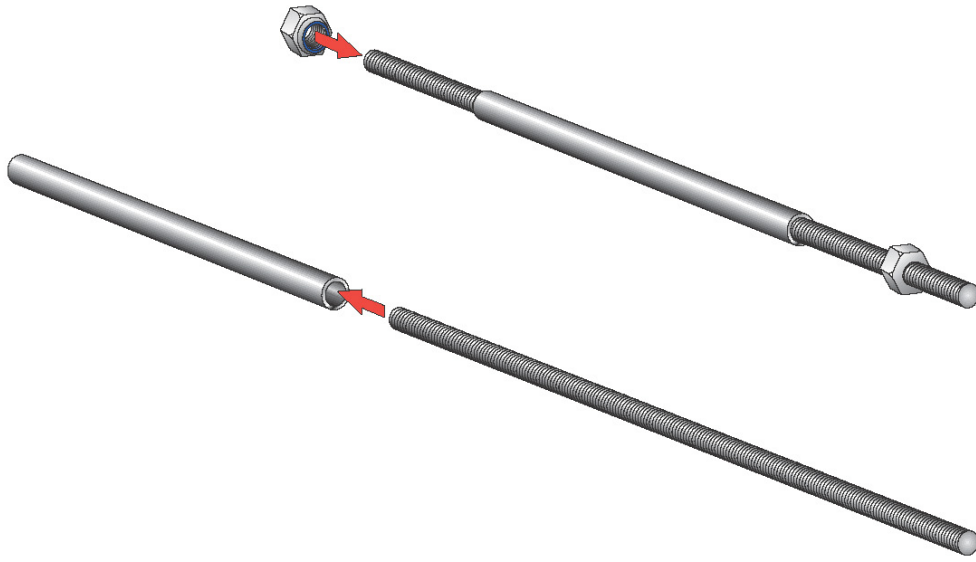
Also, please note that this is NOT my design, just a version of a design seen and used by me in France (it's origins are Polish, apparently). The illustrations are 100% mine and if you wish to publish them on your web site or whatever, you may, but please inform me first and credit me!



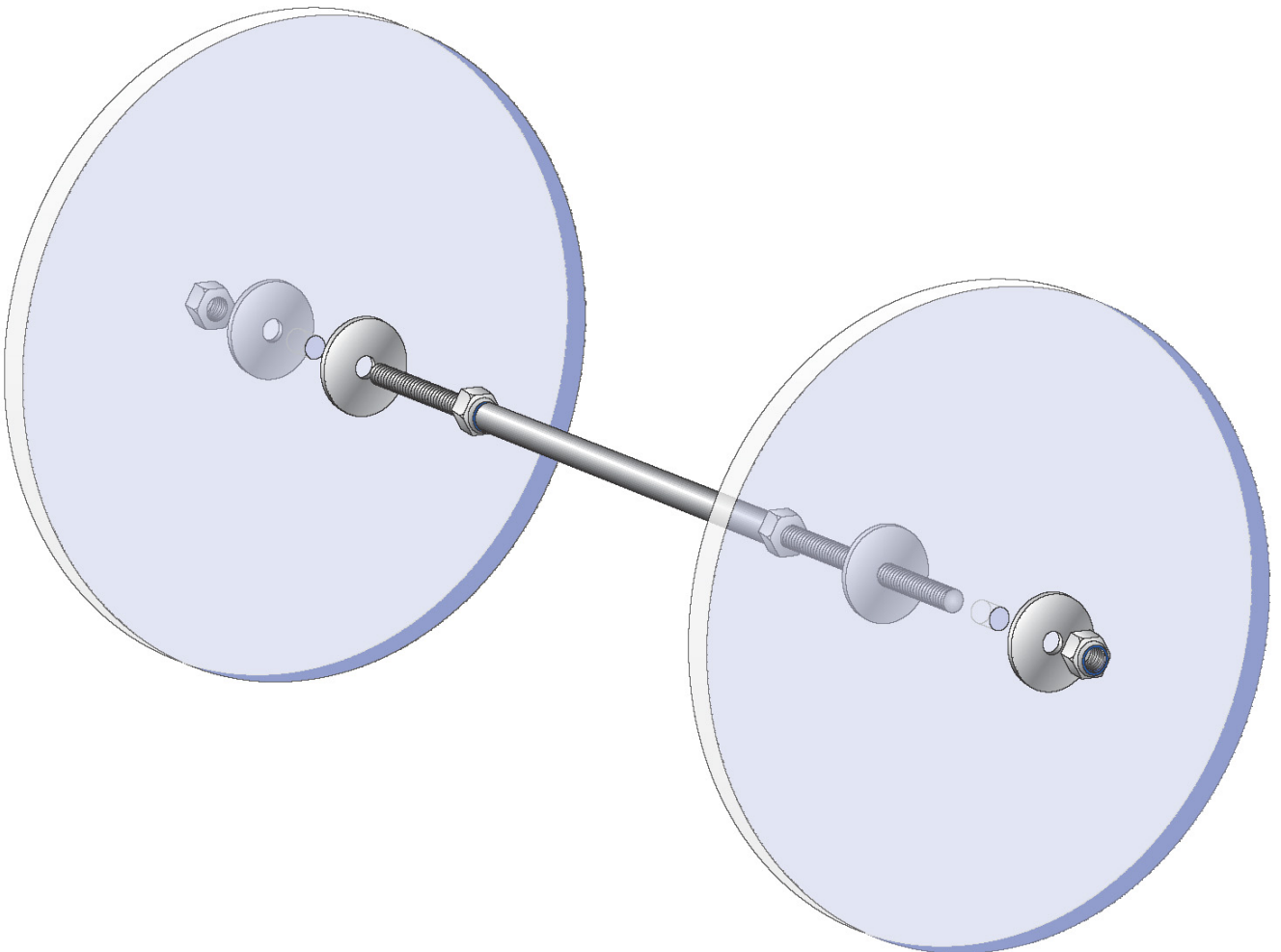
## Parts List



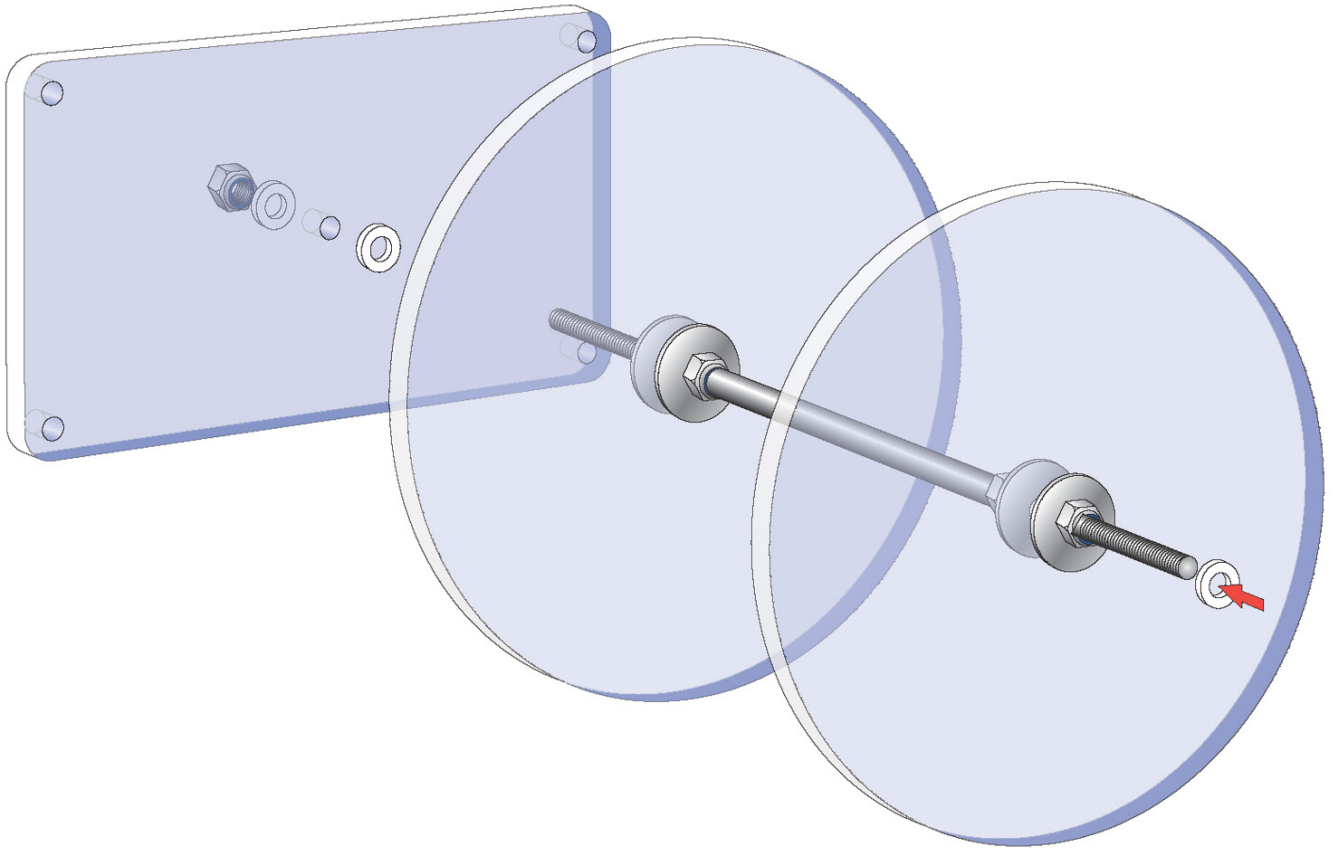
1



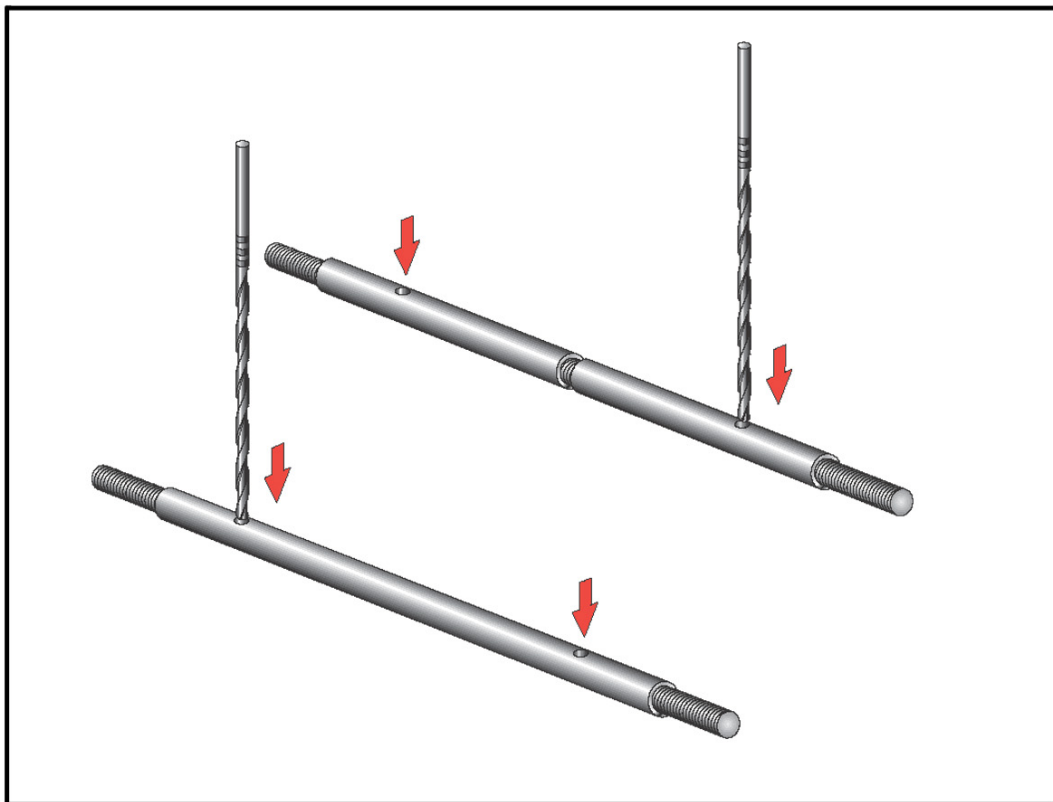
2



3

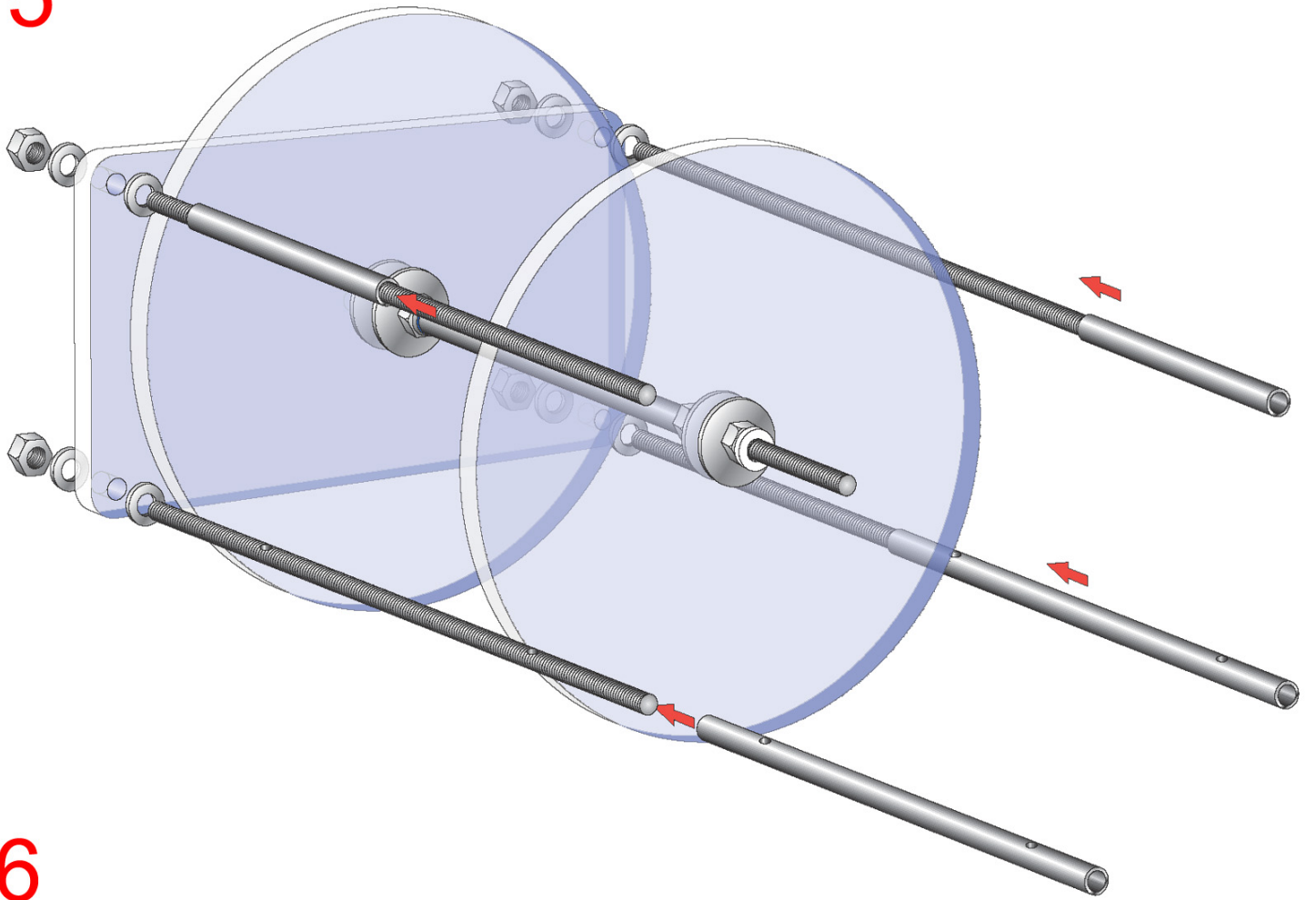


4

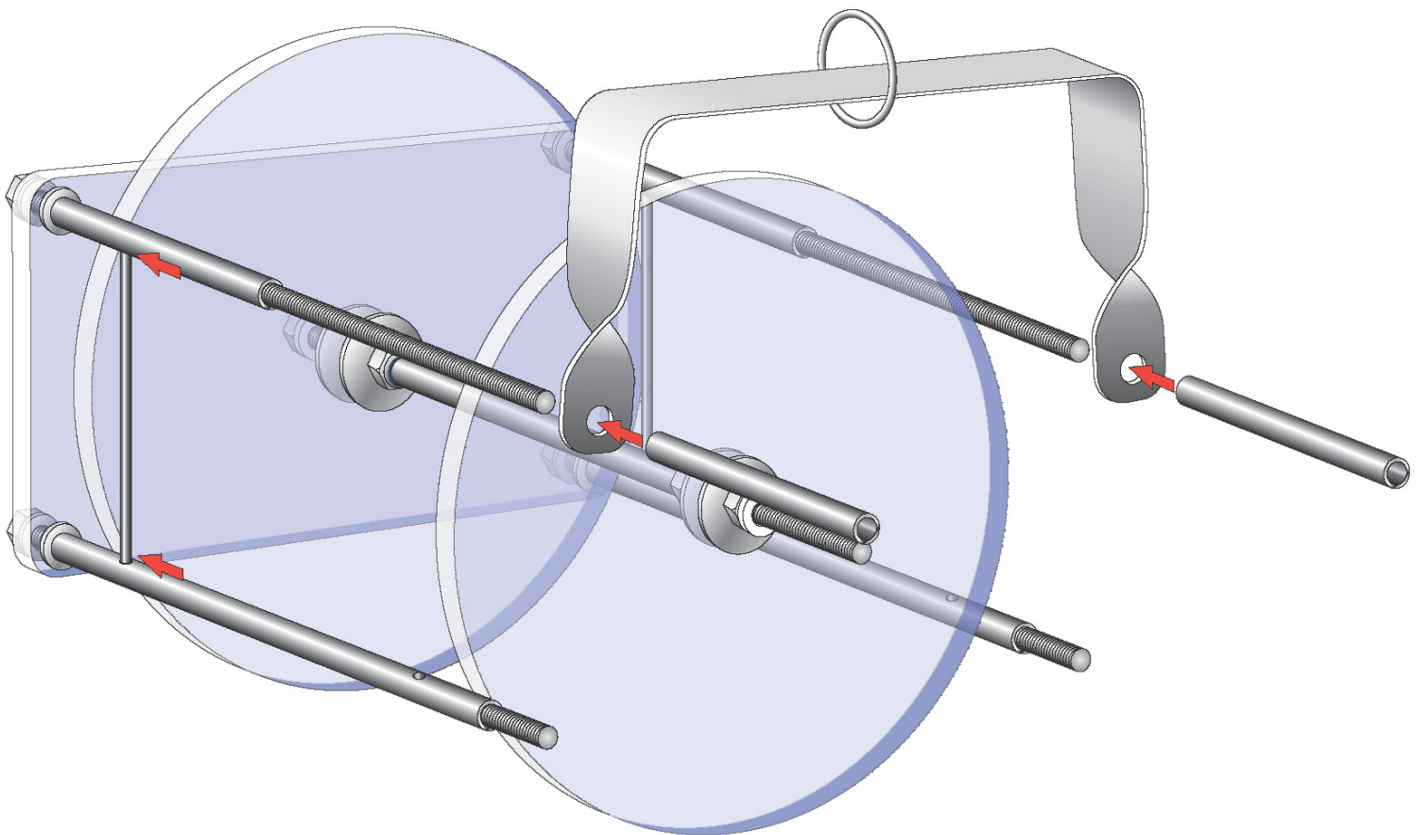


Drill 3mm holes to a depth of 5mm to locate the verticle guide bars.

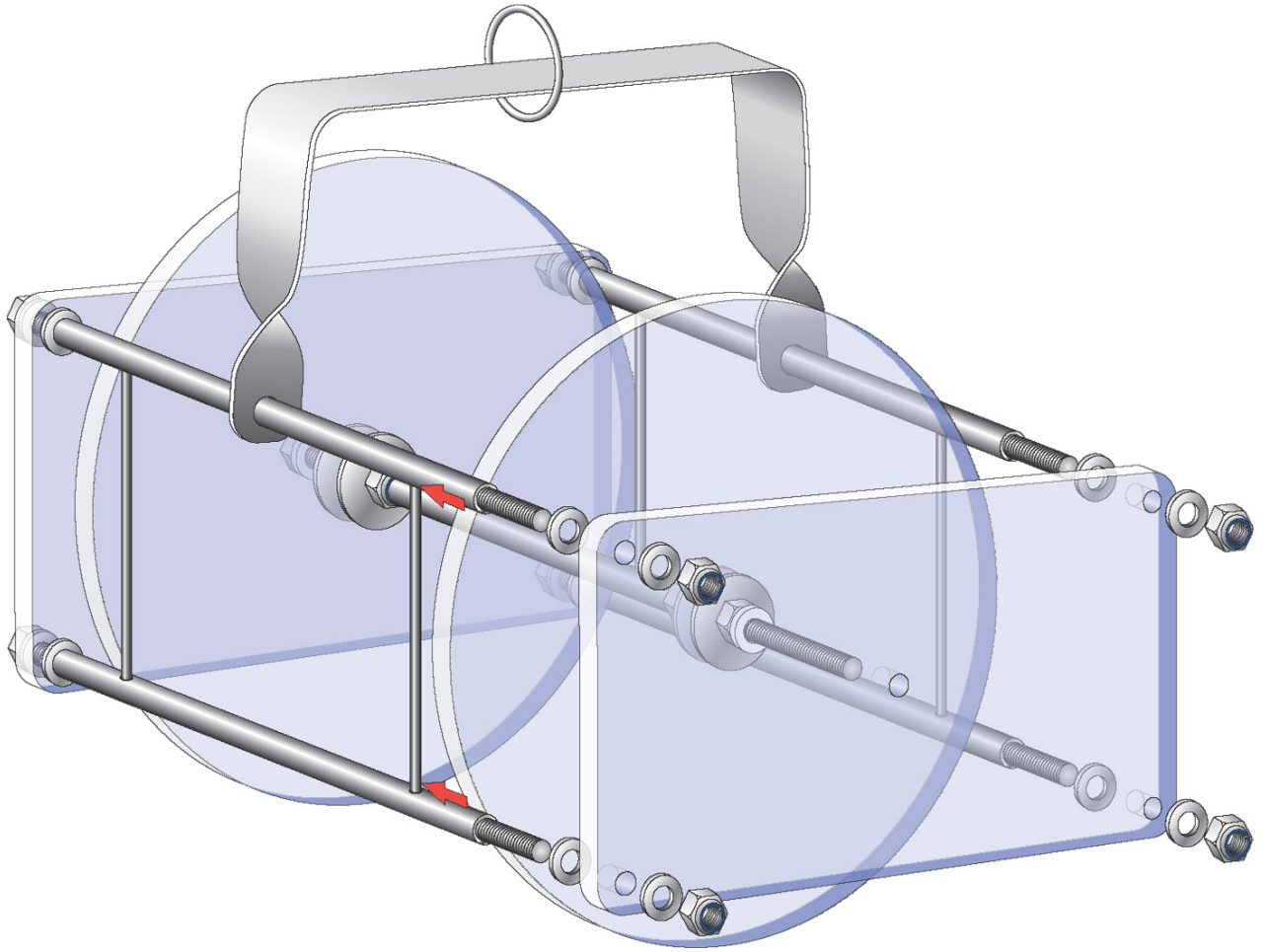
5



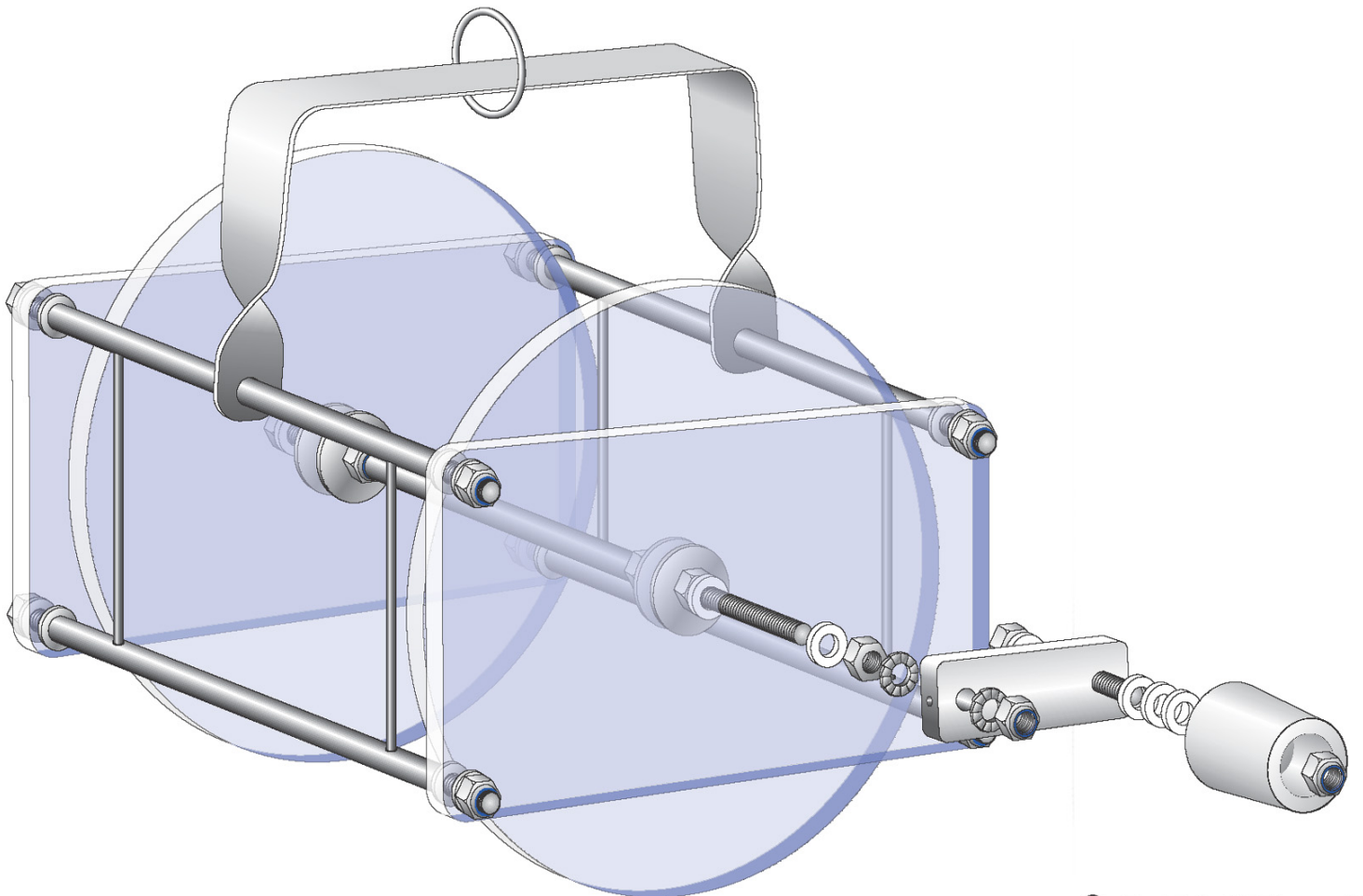
6



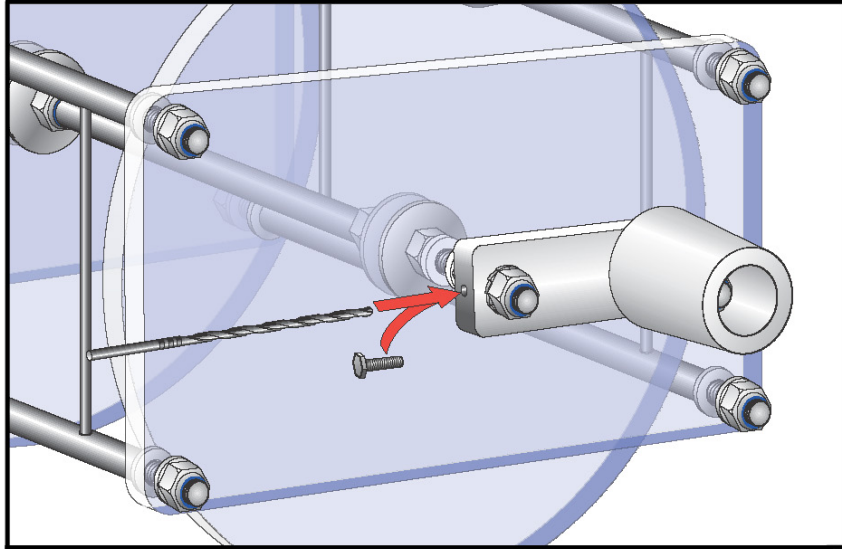
7



8

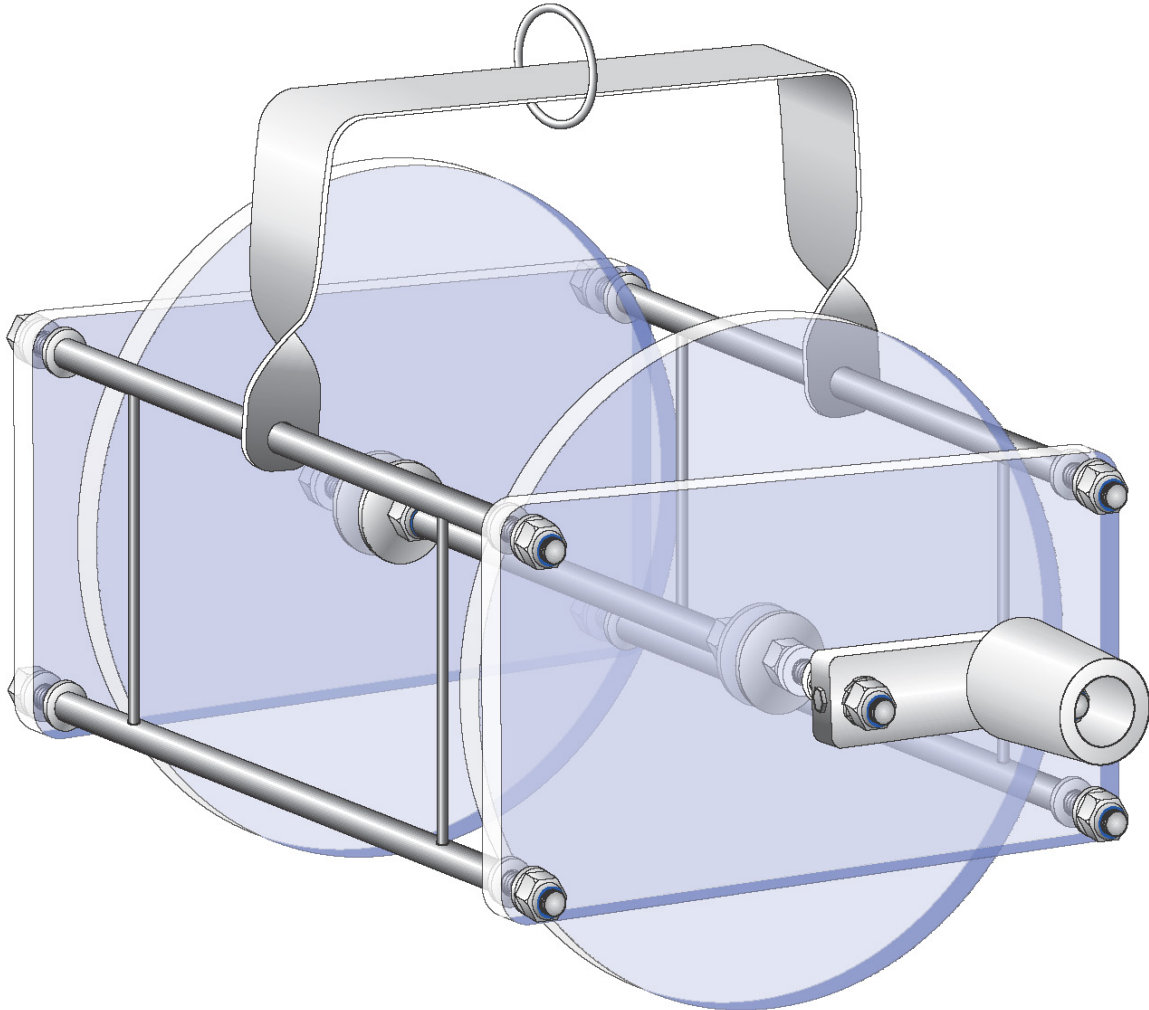


9

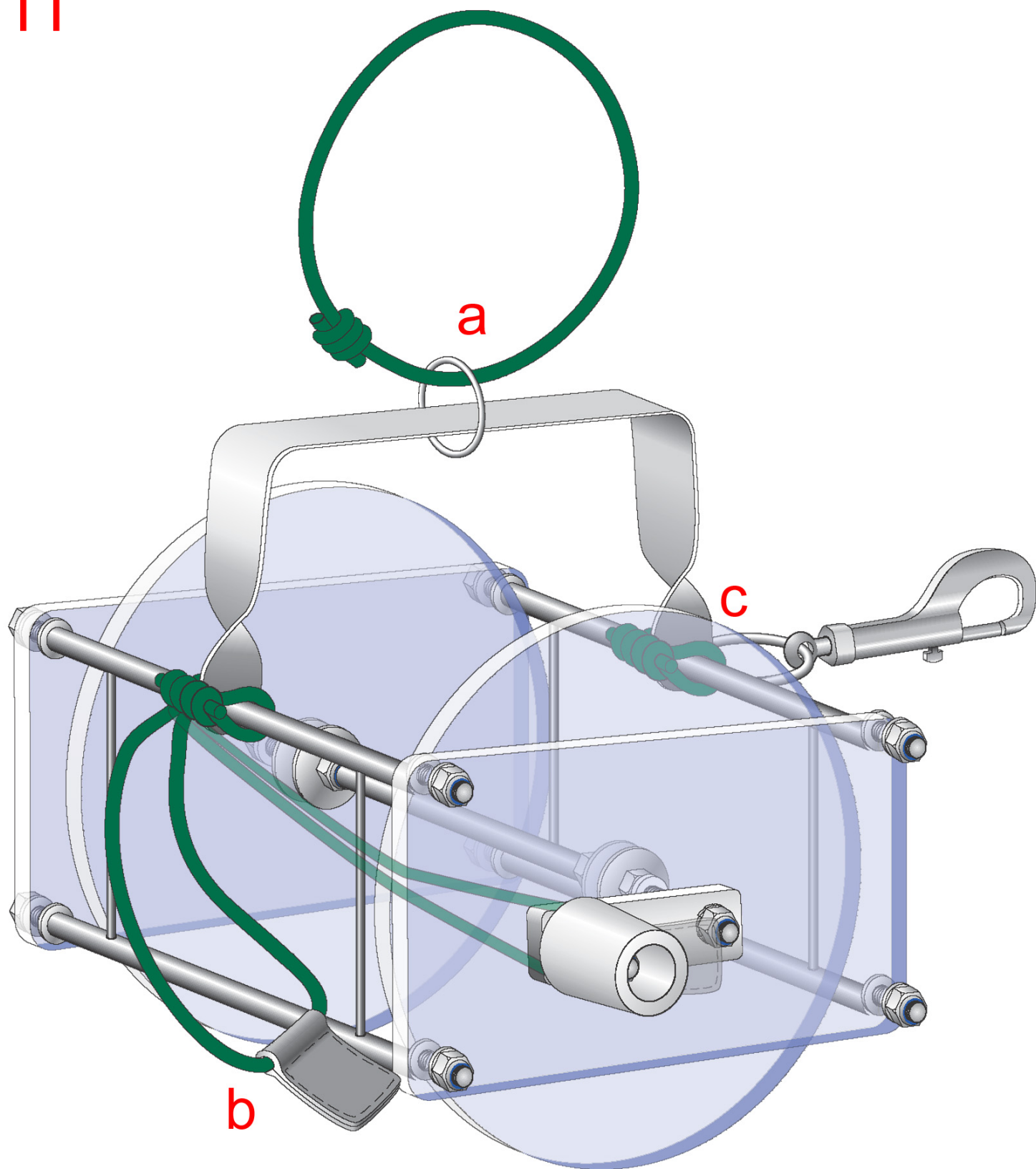


Drill a 2.5mm hole 3mm into the central threaded bar and scew in 3mm self tapping bolt to secure the winding handle

10



11



Use 4-6mm elastic cord to make a wrist loop (a), a loop for the handle lock (b) and to tie on the 'Dog Clip' (c).